



WAROM LIGHTING CO.,LTD.



Company Brief

Stock number: 603855

WAROM TECHNOLOGY

Founded in 1987, and it is headquartered in Jiading District, Shanghai

WAROM LIGHTING

Founded in 2019, and it is in huzhou city, Zhejiang



Warom lighting has strong production capacity and advanced production equipment, has established an advanced information management platform, and has passed ISO9001, ISO14001, OHSAS18001, ATEX, PTB, BV, LCIE, IECEX, DNV and other international system certification. Warom product testing center has obtained the laboratory accreditation certificate of China National Accreditation Commission for conformity assessment (CNAS) and is a manufacturer registered laboratory recognized by IECEX, Can independently complete environmental, photoelectric, mechanical and other performance tests.

Adhering to the lofty mission of "creating value for users and realizing dreams for employees", Warom lighting is committed to leading the development trend in the field of professional lighting.



Dust free assembly workshop



Assembly line



Lighting assembly workshop



Lighting assembly workshop



Technical & Quality Control



TEST AND MEASUREMENT CENTER

It is a type laboratory approved by the national authority, equipped with such advanced testing equipments as impulse test, light source photo-chromic test, LED luminous flux measurement, protection test, distribution photometer, etc., and it is the most advanced test room with the most complete testing methods among the peer enter-prises in China at present.

Provide The Best Solution
Create The Specialized Lighting Brand



Light source photochromic test



Spectrum Analyzer

Material Strength Test

High Precision Measurement



98 Different Tests & Inspections in the Process

1. Hand Held Spectrum Analyzer
2. Impact testing facility
3. Light source Photochromic Electric Test
4. Light Distribution Photometer
5. Salt-Fog Testing Chamber
6. EMI Testing Chamber

QUALIFICATION CERTIFICATES

Through the great achievements we have made,
We cherish and strive to achieve more.
We are not to be self-satisfied and to slack,
The honor only means the rewards of yesterday,
and Warom's aim is marching forward forever.

Provide The Best Solution
Create The Specialized Lighting Brand



WAROM LIGHTING CO.,LTD.

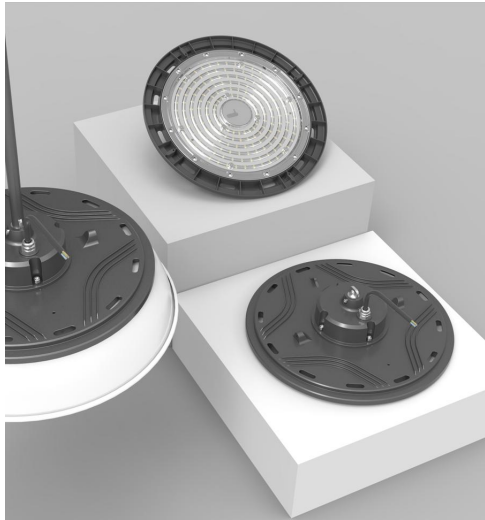


INDUSTRIAL LIGHTS



HIGHBAY

HRS-HB8104 100W/150W/200W

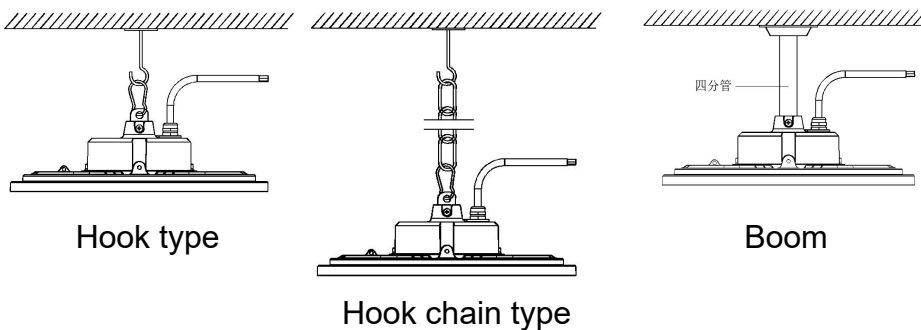


PRODUCT PARAMETER

Product drawing	Specifications	
	Wattage	100W
	Lumen	13000lm
	Voltage	AC180-264
	PF	> 0.95
	Color Temperature	4000/5000/5700
	Luminous Efficacy	130lm/W
	Ra	Ra≥80 ; R9≥0
	IP Rating	IP65
	Beam Angle	60°/90°
	Installation Method	Hanging
Shell Color	Black	
Material	Aluminium die-cast	
	Wattage	150W
	Lumen	19500lm
	Voltage	AC180-264
	PF	> 0.95
	Color Temperature	4000/5000/5700
	Luminous Efficacy	130lm/W
	Ra	Ra≥80 ; R9≥0
	IP Rating	IP65
	Beam Angle	60°/90°
	Installation Method	Hanging
Shell Color	Black	
Material	Aluminium die-cast	
	Wattage	200W
	Lumen	26000lm
	Voltage	AC180-264
	PF	> 0.95
	Color Temperature	4000/5000/5700
	Luminous Efficacy	130lm/W
	Ra	Ra≥80 ; R9≥0
	IP Rating	IP65
	Beam Angle	60°/90°
	Installation Method	Hanging
Shell Color	Black	
Material	Aluminium die-cast	



Installation drawings



ADVANTAGE

- San'an Chip, Optional CRI.
- Rated voltage: AC 220-240V.
- No UV or IR in the beam.
- Easy to install and operate.
- Energy saving.
- Light is soft and uniform, safe to eyes.
- Instant start, No flickering, No humming.

APPLICATION

- Warehouse, factory and workshops.
- Highway toll station and gas station.
- Exhibition hall.
- Gymnasium and supermarkets et...



HIGHBAY

HRS-HB8105 100W/150W/200W

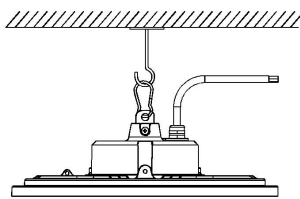


PRODUCT PARAMETER

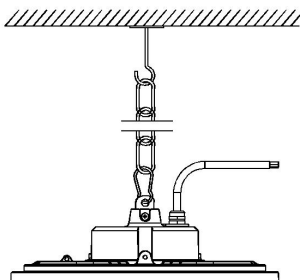
Product drawing	Specifications	
	Wattage	100W
	Lumen	13000lm
	Voltage	AC220-240
	PF	> 0.9
	Color Temperature	3000/4000/5000
	Luminous Efficacy	180LM/W
	Ra	Ra≥80 ; R3≥0
	IP Rating	IP66
	Beam Angle	60°/90°
	Installation Method	Hanging
Shell Color	Black	
Material	Aluminium die-cast	
	Wattage	150W
	Lumen	19500lm
	Voltage	AC220-240
	PF	> 0.9
	Color Temperature	3000/4000/5000
	Luminous Efficacy	180LM/W
	Ra	Ra≥80 ; R3≥0
	IP Rating	IP66
	Beam Angle	60°/90°
	Installation Method	Hanging
Shell Color	Black	
Material	Aluminium die-cast	
	Wattage	200W
	Lumen	26000lm
	Voltage	AC220-240
	PF	> 0.9
	Color Temperature	3000/4000/5000
	Luminous Efficacy	180LM/W
	Ra	Ra≥80 ; R3≥0
	IP Rating	IP66
	Beam Angle	60°/90°
	Installation Method	Hanging
Shell Color	Black	
Material	Aluminium die-cast	



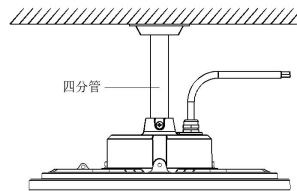
Installation drawings



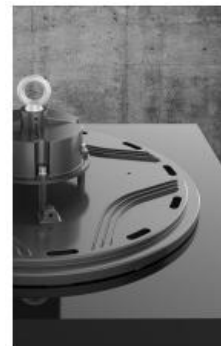
Hook type



Hook chain type



Boom



HIGHBAY

RLEHB0011-III 80W/100W/120W



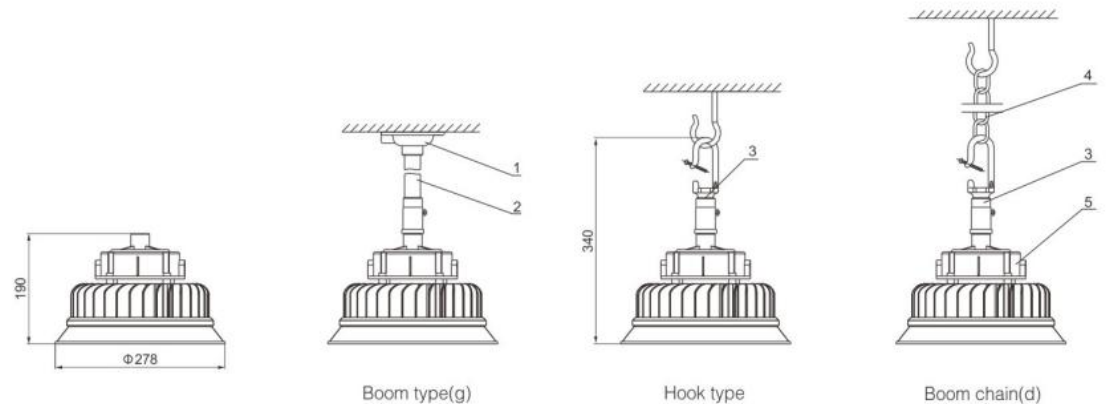
Application

Applicable to lighting in freight yard, workshop, warehouse and other places.

Product introduction

- The shell is made of aluminum alloy die casting with high strength; High voltage electrostatic powder spraying treatment on the surface, corrosion resistance.
- LED light source is selected, with high color rendering, small light attenuation and no flicker.
- The lamp has scientific light distribution and anti glare design, with soft and uniform light.
- Scientific heat dissipation method can benefit the stability of LED light source and electrical components.
- Scientific sealing structure design, with good performance.

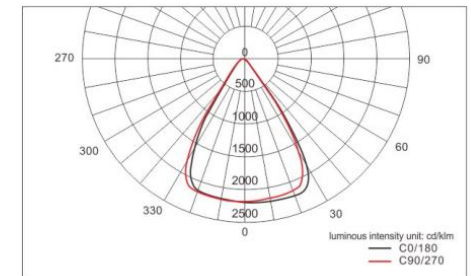
Installation drawings



Technical data

- Rated voltage: AC100 ~ 220V
- LED: 80W、100W、120W
- Protection class: IP65
- Weight: 3.3kg

Distribution curve flux



No.	Name	Quantit	Remarks
1	Fixed luminaires for LED modules	1	
2	Boom G3/4*	1	100mm
3	Install suction cups G3/4*	1	
4	Hook G3/4*	1	
5	Chain	1	450mm

Ordering information

Orderig code	Power(W)	Illuminant	CT(K)	Luminous flux(lm)	Average life of illuminant(h)
RLEHB0011-XL80III	80	LED	5000	10400	50000
RLEHB0011-XL100III	100			13000	
RLEHB0011-XL120III	120			15600	

Note: ○ The conventional factory configuration is boom type (g) installation. If other installation methods are required, please indicate when ordering.
 ○ The conventional light distribution of lamps is 60°, If 90° and 120° light distribution is required, please indicate when ordering.

HIGHBAY

RLEHB0012-III 150W/200W/260W/300W



150W、200W



(260W、300W) No Lampshade

Application

Applicable to lighting in freight yard, workshop, warehouse and other places.

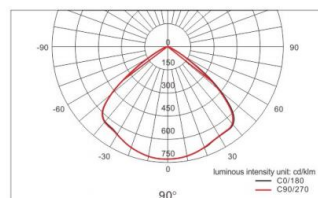
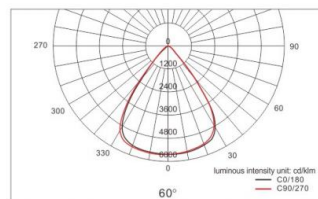
Product introduction

- The shell is made of aluminum alloy die casting with high strength; High voltage electrostatic powder spraying treatment on the surface, corrosion resistance.
- LED light source is selected, with high color rendering, small light attenuation and no flicker.
- The lamp has scientific light distribution and anti glare design, with soft and uniform light.
- Scientific heat dissipation method can benefit the stability of LED light source and electrical components.
- Scientific sealing structure design, with good performance.

Technical data

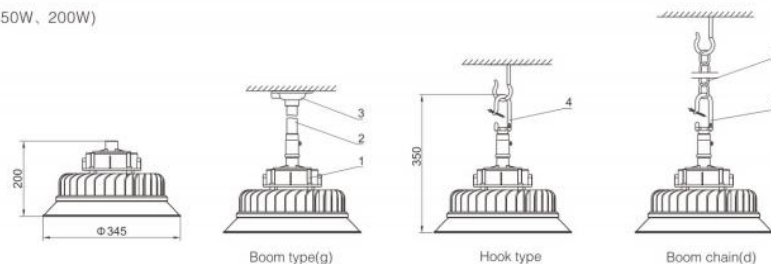
- Rated voltage: AC100 ~ 220V
- LED: 150W、200W、260W、300W
- Protection class: IP65
- Weight: 4.5kg(150W、200W)
6.4kg(260W、300W)

Distribution curve flux

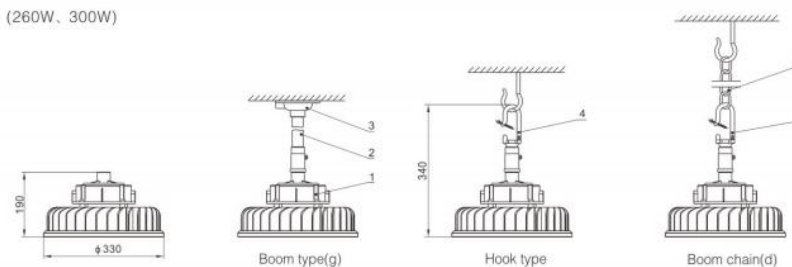


Installation drawings

(150W、200W)



(260W、300W)



No.	Name	Quantit	Remarks
1	Fixed luminaires for LED modules	1	
2	Boom G3/4"	1	100mm
3	Install suction cups G3/4"	1	
4	Hook G3/4"	1	
5	Chain	1	450mm

Ordering information

Order code	Power(W)	Illuminant	CT(K)	Luminous flux(lm)	Average life of illuminant(h)
RLEHB0012-XL150III	150	LED	5000	19500	50000
RLEHB0012-XL200III	200			26000	
RLEHB0012-XL260III	260			31200	
RLEHB0012-XL300III	300			39000	

- Note:
- The conventional factory configuration is boom type (g) installation. If other installation methods are required, please indicate when ordering.
 - The conventional light distribution of lamps is 60°, 90° and 120° light distribution is required, please indicate when ordering.
 - 150W and 200W conventional lamps are equipped with lampshades, while 260W and 300W lamps are not equipped.

HIGHBAY

HRZM101 150W/200W



Application

Application of workshop, corridor, trestle, substation, lamp bridge, lighthouse, port, wharf, goods yard and other places.

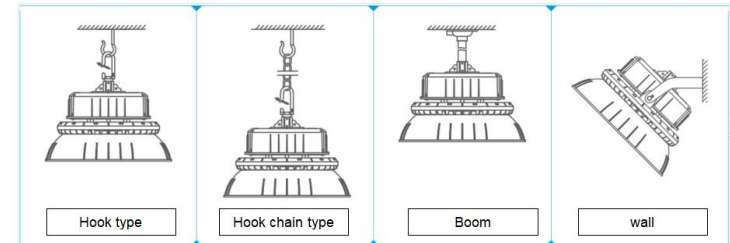
Product introduction

- High light efficiency LED light source, light efficiency up to 160lm/W, unique light distribution technology, the same power illumination increased by 33%.
- Elaborate lighting design, 60°, 90°, 120° three options, to meet the lighting needs of different places, different heights.
- Scientific structure design, effective thermal control technology.
- Many installation methods.
- Intelligent control, easy to achieve intelligent control of equipment.

Technical data

- Rated Voltage : AC220V
- LED : 150W、200W
- Cable specification : Φ6- Φ8mm
- Protection class : IP65
- Weight : 6.1kg(ZM Microwave induction) / 6.25kg(PLC-LOT Carrier)/6.5kg(Zigbee Wireless) / 6kg(Regular Version)

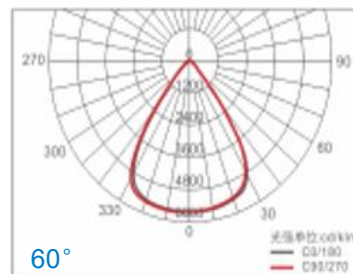
Installation drawings



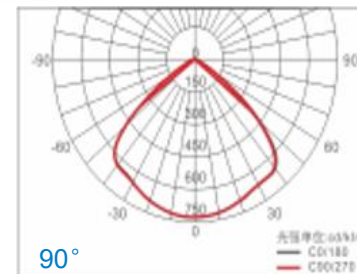
Ordering information

Orderig code	Power (W)	Illuminant	CCT (K)	Luminous flux(lm)	Lifetime (h)
HRZM101ZM-XL150	150	LED	5000	18000	50000
HRZM101ZM-XL200	200			24000	
HRZM101ZP-XL150	150			18000	
HRZM101ZP-XL200	200			24000	
HRZM101ZR-XL150	150			18000	
HRZM101ZR-XL200	200			24000	
HRZM101-XL150	150			18000	
HRZM101-XL200	200			24000	

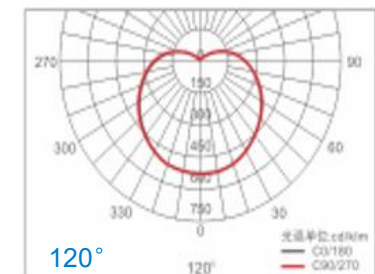
Distribution curve flux



Suitable for height 15m/20m



Suitable for height 10m/15m



Suitable for height 8m/12m



FLOOD LIGHTS

GAD606/RLERT006 12W/30W



GAD606

Flood lighting

LED: 12W

Protection class: IP65

Dimensions: 180×110×90mm

Weight: 1kg



RLERT006

Flood lighting

LED: 30W

Protection class: IP65

Dimensions: 289×167×81mm

Weight: 2.6kg

FLOOD LIGHTS

GT315/GT315-II 24W/36W/50W



GT315

Flood lighting

LED: 24W 36W 50W

Protection class: IP65

Size: 430×150×89.5mm(24W/36W)

430×150×43mm(50W)

Weight: 3.7kg(24W/36W)

2.9kg(50W)



GT315-II

Flood lighting

LED: 24W 36W

Protection class: IP65

Dimensions: 430×150×115mm

Weight: 3kg

FLOOD LIGHTS

RLEFL336 120W/150W/200W



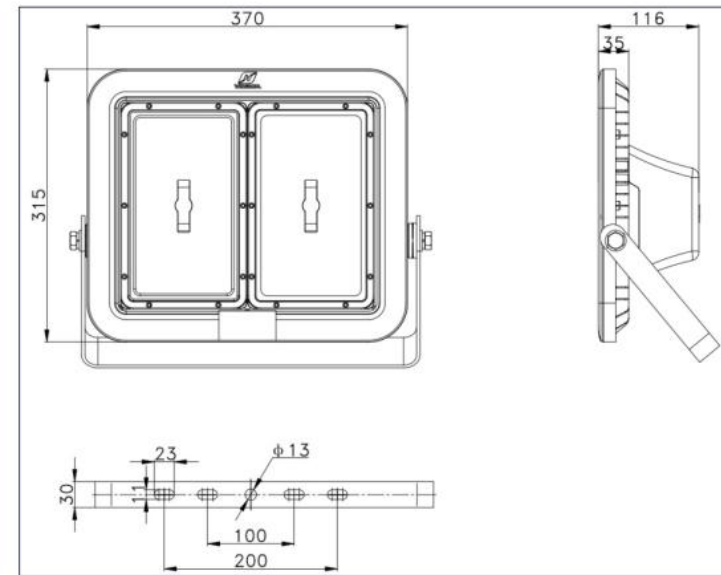
Application

Applicable to the lighting of factory buildings, corridors, trestles, substations, stations, ports, freight yards and other places.

Product introduction

- ▣ The shell is made of aluminum alloy by die-casting, with high strength.
- ▣ The surface is treated by high voltage electrostatic powder spraying, with corrosion resistance.
- ▣ LED light source is selected, with high color rendering, small light attenuation and no flicker.
- ▣ Adopt high polymer material reflector, with soft and even light, high reflection efficiency and aging resistance.
- ▣ The screw-free patch terminal is used to connect with the wire. When replacing the light source, pull out the wire on the light source board to facilitate the replacement of the light source.
- ▣ Scientific sealing structure design, with good performance.
- ▣ The lamp can meet the illumination requirements of different places and environments by adjusting the rotation angle.

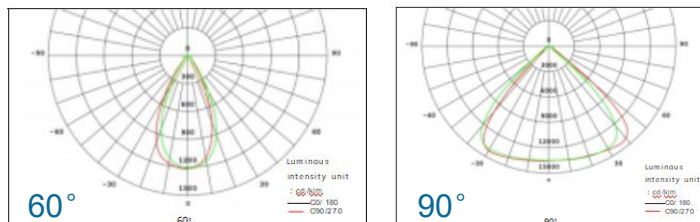
Installation drawings



Technical data

- ▣ Rated Voltage : AC220V
- ▣ LED : 120W, 150W, 200W
- ▣ Cable specification : Φ6- Φ8mm
- ▣ Protection class : IP65
- ▣ Anti corrosion grade : WF2
- ▣ Weight : 5.8kg

Distribution curve flux



Ordering information

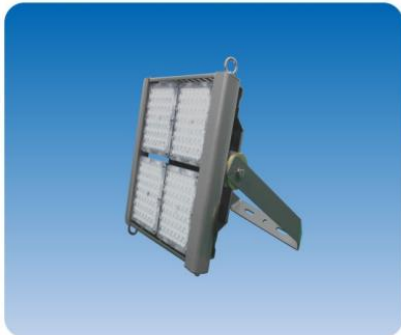
Orderig code	Power (W)	Illuminant	CCT (K)	Luminous flux(lm)	Lifetime (h)
RLEFL336-XL120	120	LED	5000	16200	50000
RLEFL336-XL150	150			20250	
RLEFL336-XL200	200			27000	

Note: The beam angle of this lamp is 60° and 90°, please indicate when ordering.

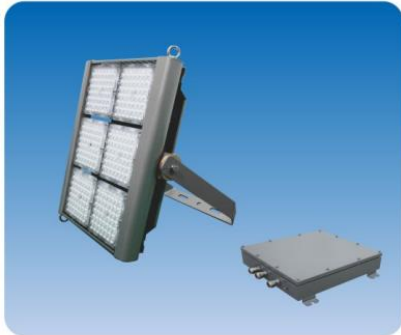
FLOOD LIGHTS



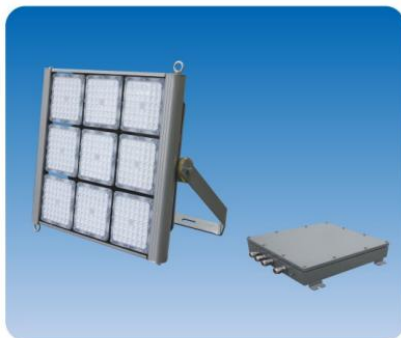
RLEFL339 400W/600W/800W/1000W



400W (Integrated)



600W (Split type)



1000W (Split type)

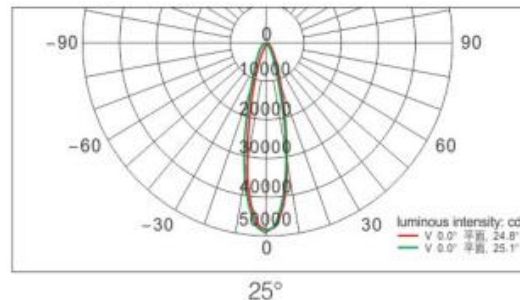
Product introduction

- The shell is made of aluminum alloy die casting with high strength; High voltage electrostatic powder spraying treatment on the surface, corrosion resistance.
- Brand LED light source is selected, with high luminous efficiency, high color rendering, low light attenuation, low energy consumption and long service life.
- LED light source module, scientific heat dissipation structure, hot honeycomb principle and full structure heat dissipation technology are adopted to ensure the stable operation of LED for a long time.
- The product adopts modular and pluggable technology to facilitate on-site maintenance and later product upgrading.
- With scientific sealing structure, it has good waterproof and dustproof performance.
- The power supply module has the functions of short circuit, overvoltage and overcurrent protection.
- Multiple light distribution modes are available. Select narrow light distribution module to realize long-distance projection lighting, and select wide light distribution module to realize wide-range lighting.
- The rotation angle of the mounting bracket can be adjusted by adjusting the bolt to meet the requirements of $-180^{\circ} \sim 180^{\circ}$, Angle lighting requirements.

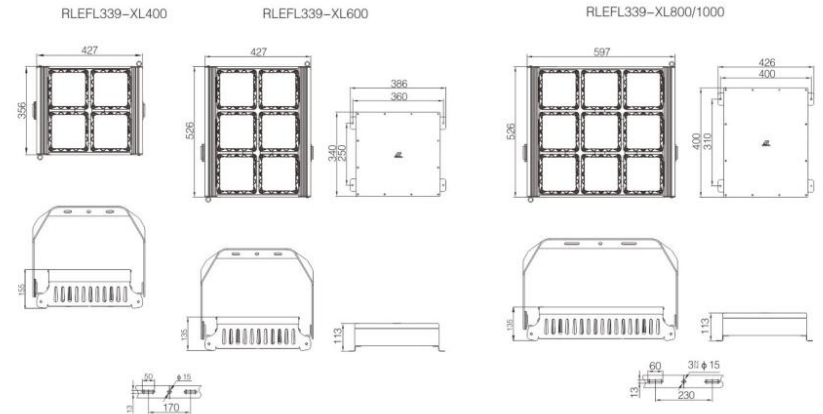
Technical data

- Rated voltage: AC100 ~ 220V
- LED: 400W、600W、800W、1000W
- Protection class: IP65
- Anti corrosion grade: WF2
- Weight: 400W lamp(17.5kg)
600W lamp(21kg), Electrical box(7kg)
800W、1000W lamp(29kg), Electrical box(10kg)

Distribution curve flux



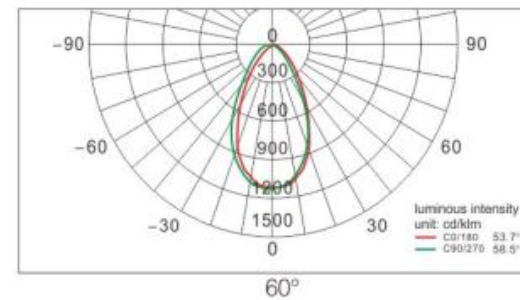
Installation drawings



Ordering information

Ordering code	Power(W)	Illuminant	CT(K)	Luminous flux(lm)	Average life of illuminant(h)
RLEFL339-XL400	400	LED	5000	56000	50000
RLEFL339-XL600	600			84000	
RLEFL339-XL800	800			112000	
RLEFL339-XL1000	1000			130000	

Note: the port lamp has 25° and 60° light distribution mode, please indicate when ordering



FLOOD LIGHTS

HRZM201 120W/150W/200W



Application

Application of workshop, corridor, trestle, substation, lamp bridge, lighthouse, port, wharf, goods yard and other places.

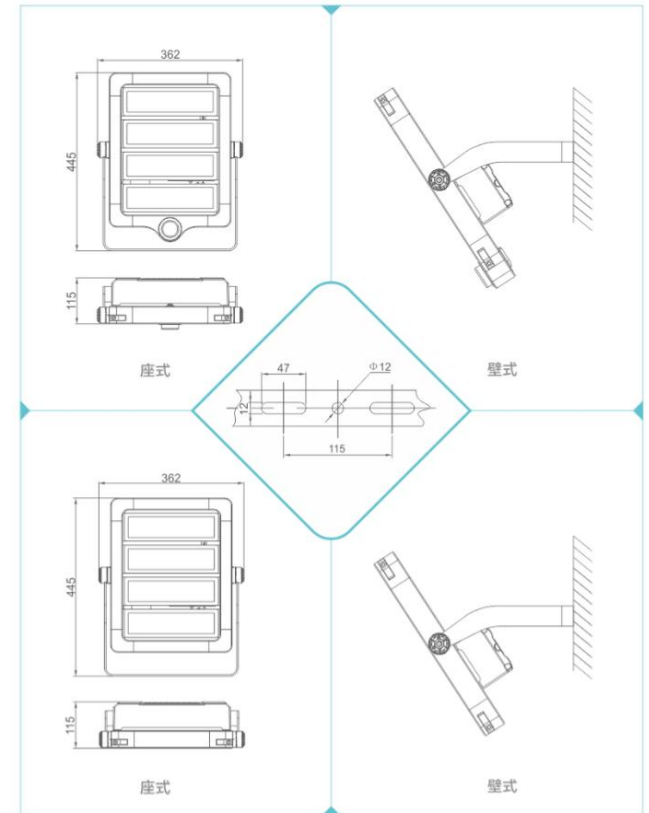
Product introduction

- ▣ High light efficiency ,120lm/ W.
- ▣ Professional optical design, The beam angle has 25°/60°/90° Three kinds of optional , Meet the different places and heights.
- ▣ Scientific structure design, effective thermal control technology.
- ▣ Many installation methods.
- ▣ Intelligent control, easy to achieve intelligent control of equipment.

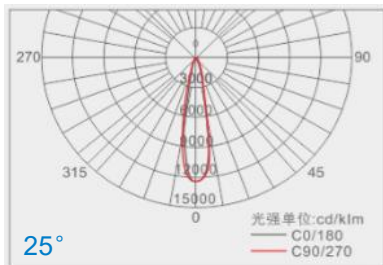
Technical data

- ▣ Rated Voltage : AC220V
- ▣ LED : 150W、200W
- ▣ Cable specification : Φ6- Φ8mm
- ▣ Protection class : IP65
- ▣ Weight : 6.9kg(ZM Microwave induction) / 6.8kg(PLC-LOT Carrier)/7.5kg(Zigbee Wireless) / 6.7kg(Regular Version)

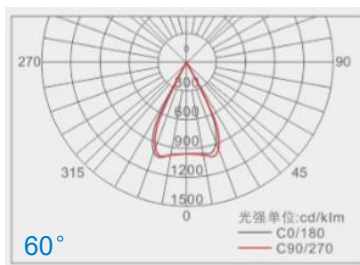
Installation drawings



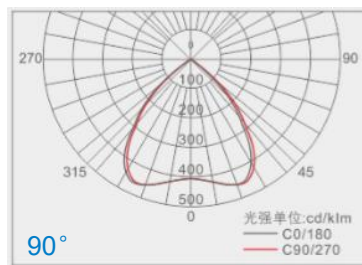
Distribution curve flux



Suitable for height 15m/20m



Suitable for height 10m/15m



Suitable for height 8m/12m

Ordering information

Type	Ordering code	Power (W)	Illuminant	CCT (K)	Luminous flux(lm)	Lifetime (h)
ZM Microwave induction	HRZM201ZM-XL150	150	LED	5000	18000	50000
	HRZM201ZM-XL200	200			24000	
PLC-LOT Carrier	HRZM201ZP-XL150	150			18000	
	HRZM201ZP-XL200	200			24000	
Zigbee Wireless	HRZM201ZR-XL150	150			18000	
	HRZM201ZR-XL200	200			24000	
Regular Version	HRZM201-XL150	150			18000	
	HRZM201-XL200	200			24000	

LOWBAY

GC203-II/GC203-II-C 36W/50W



GC203-II

Product introduction

- o The shell is made of aluminum alloy die casting with high strength; High voltage electrostatic powder spraying treatment on the surface, corrosion resistance.
- o LED light source is selected, with high color rendering, small light attenuation and no flicker.
- o The lamp has scientific light distribution and anti glare design, with soft and uniform light.
- o Scientific heat dissipation method can benefit the stability of LED light source and electrical components.
- o Scientific sealing structure design, with good performance.
- o The screw free patch terminal is connected with the wire. When replacing the light source, pull out the wire on the light source board to facilitate the replacement of the light source.

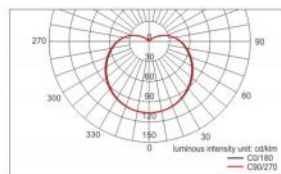
Technical data

- o Rated voltage: AC100 ~ 220V
AC/DC24 ~ 36V
- o LED: 36W, 50W
- o Cable specification: $\Phi 10 \sim \Phi 14$ mm
- o Protection class: IP65
- o Anti corrosion grade: WF2
- o Weight: 2.3kg

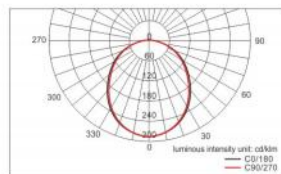


GC203-II-C

Distribution curve flux

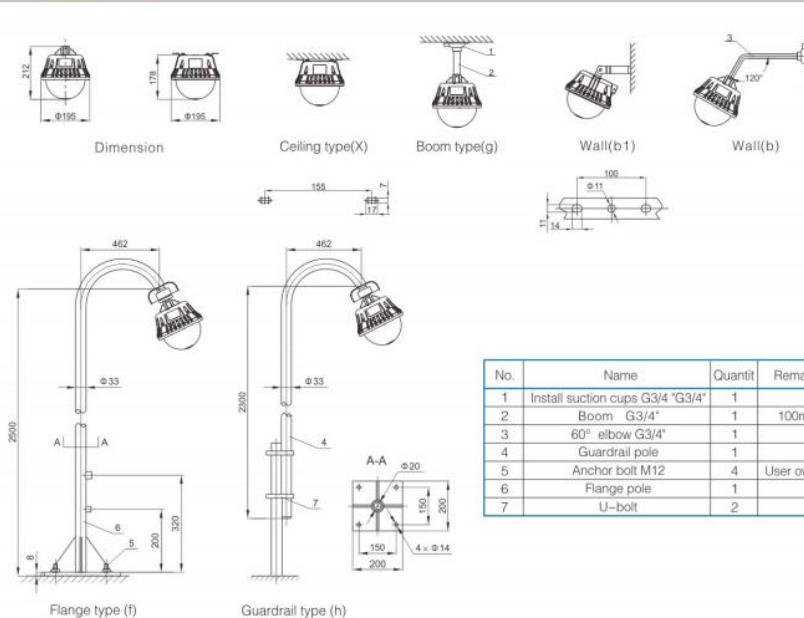


GC203-II



GC203-II-C

Installation drawings



No.	Name	Quantit	Remarks
1	Install suction cups G3/4 "G3/4"	1	
2	Boom G3/4"	1	100mm
3	60° elbow G3/4"	1	
4	Guardrail pole	1	
5	Anchor bolt M12	4	User owned
6	Flange pole	1	
7	U-bolt	2	

Ordering information

Ordering code	Power(W)	illuminant	CT(K)	Luminous flux(lm)	Average life of illuminant(h)
GC203-XL36IIA	36	LED	5000	4320	50000
GC203-XL36IIB				6000	
GC203-XL50IIA	50			7200	
GC203-XL50IIB				4320	
GC203-XL60IIA	60			6000	
GC203-XL60IIB				4320	
GC203-XL36IIA-C	36	LED	5000	4320	50000
GC203-XL36IIB-C				6000	
GC203-XL50IIA-C	50			7200	
GC203-XL50IIB-C				4320	

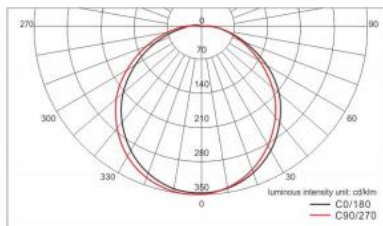
- Note:
- o Suffix A indicates that the voltage is: AC220V. No marking is required.
 - o Suffix B indicates that the voltage is: AC/DC24~36V.
 - o The conventional factory configuration is suspender installation. If other installation methods are required, please indicate when ordering.
 - o GC203-II-C indicates that the lamp is a transparent shade.
 - o In case of emergency, add 'J' after the order number.
 - o Ceiling type (x) and wall type (B1) cannot meet the integrated emergency function.

LOWBAY

HRZM-GC203-XL36/50 36W/50W



© Distribution curve flux



© Application

Applicable to the lighting of distribution room, main power house, water pump room, corridor trestle and other places.

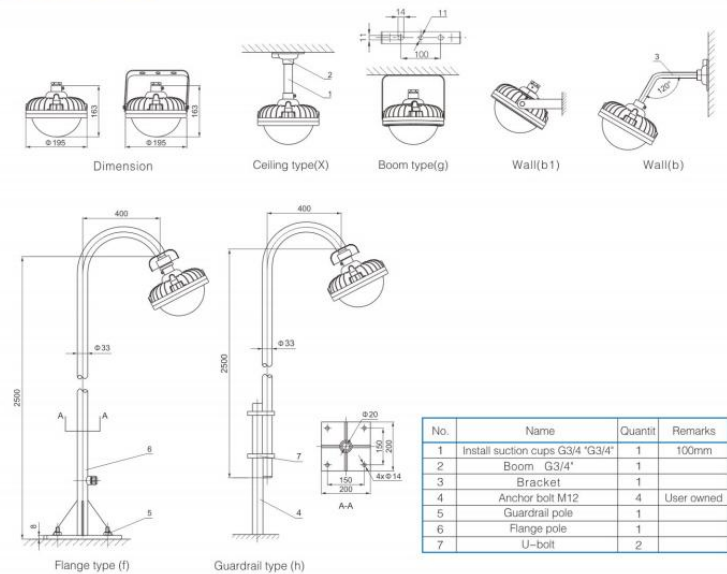
© Product introduction

- The shell is made of aluminum alloy die casting with high strength; Surface high voltage electrostatic powder spraying treatment, corrosion resistance.
- LED light source is selected, with high color rendering, small light attenuation and no flicker.
- The lamp has scientific light distribution and anti glare design, with soft and uniform light.
- Scientific heat dissipation mode is conducive to the stability of LED light source and electrical components.
- Scientific sealing structure design, with good performance.

© Technical data

- Rated voltage: AC100 ~ 220V
- LED: 36W、50W
- Cable specification: $\Phi 8-\Phi 12\text{mm}$
- Protection class: IP65
- Anti corrosion grade: WF2
- Weight: 1.6kg

© Installation drawings



© Ordering information

Orderig code	Power(W)	Illuminant	CT(K)	Luminous flux(lm)	Average life of illuminant(h)
HRZM-GC203-XL36	36	LED	5000	4320	30000
HRZM-GC203-XL50	50			6000	

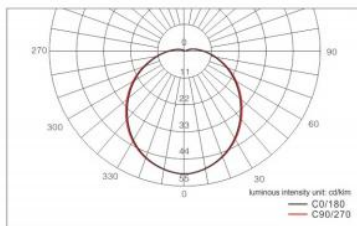
Note: The conventional factory configuration is boom type (g) installation. If other installation methods are required, please indicate when ordering.

LOWBAY

HRZM-GC203-XL70/80 70W/80W



Distribution curve flux



Application

Applicable to the lighting of distribution room, main power house, water pump room, corridor trestle and other places.

Product introduction

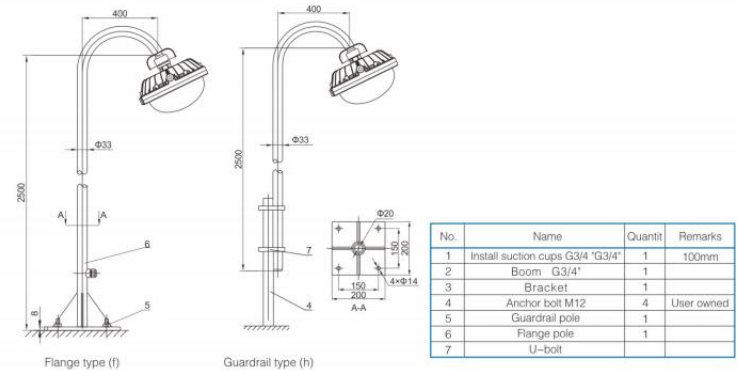
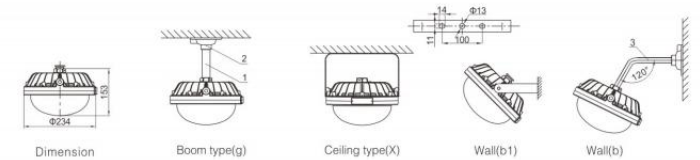
- The shell is made of aluminum alloy die casting with high strength; High voltage electrostatic powder spraying treatment on the surface, resistant to Corrosion.
- The well-known brand LED light source is selected, which has high light efficiency, high color rendering, small light attenuation, no flicker and long service life.
- Scientific light distribution design, soft and uniform light, suitable for flood-lighting.
- Scientific sealing structure design, with good waterproof and dustproof performance.
- The installation methods include boom type (g), wall type and other installation methods.

Technical data

- Rated voltage: AC100 ~ 220V
- LED: 70W、80W
- Cable specification: $\Phi 8 - \Phi 12$ mm
- Protection class: IP65
- Anti corrosion grade: WF2
- Weight: 2.1kg

Installation drawings

Installation drawings



Ordering information

Order code	Power(W)	Illuminant	CT(K)	Luminous flux(lm)	Average life of illuminant(h)
HRZM-GC203-XL70	70	LED	5000	8400	30000
HRZM-GC203-XL80	80			9600	30000

Note: The conventional factory configuration is boom type (g) installation. If other installation methods are required, please indicate when ordering.

LOWBAY

HRZM301 50W



Application

Application for distribution room, main workshop, pump room, corridor, trestle.

Product features

Product features: It can realize brightness adjustment, artificial intelligence control (PLH power carrier, microwave induction, wireless communication Zigbee) and other functions.

Product introduction

1. Power: 50W; Lamp efficiency $\geq 120\text{lm} / \text{W}$; Color Temperature: 6500K.
2. Lamp power (brightness adjustable) 0-100%.
3. Lamp shade specification: milky white, transparent.
4. Installation Mode: Boom type, Ceiling type and Wall type.
5. Protection level: IP65.
6. Functions: brightness adjustment, artificial intelligence control (PLH power carrier, microwave induction, wireless communication Zigbee).
7. Size: 208 × 208 × 190mm, weight: 2.5kg, LED number: 72;
8. Our development of fixed LED smart lamps have the following characteristics:
Various configurations: 3 configurations
 - 1) Microwave induction: 12-24V DC output power + sensor
Note: Graffiti Module + Platform + Ecology
 - 2) PLH Power Carrier Communication: WAROM HRA / LB 1.40.50X Power
 - 3) Wireless Remote Control: Moso Power Supply + Zigbee wireless module
9. Light efficiency up to 120LM / W, uniform light.
10. LED light source has high luminous efficiency, high color rendering, no flicker and low cost.
11. It adopts high efficiency constant current driver, which can control the brightness of the lamp by remote control.
12. Single light control, group control, scene control, APP, intelligent lighting system control.

TRI-PROOF LIGHTS

HRZM-G-6110 18W/36W



Application

Applicable to the lighting of parking lot, corridor, maintenance platform, vehicle maintenance area and other places.

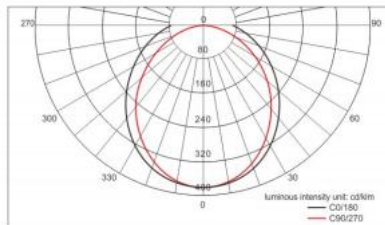
Product introduction

- The lamp body adopts injection molding PC, which is safe and reliable.
- LED light source is selected, with high color rendering, small light attenuation and no flicker.
- The lamp has scientific light distribution and anti glare design, with soft and uniform light.
- Scientific heat dissipation mode is conducive to the stability of LED light source and electrical components.
- Scientific sealing structure design, with good performance.

Technical data

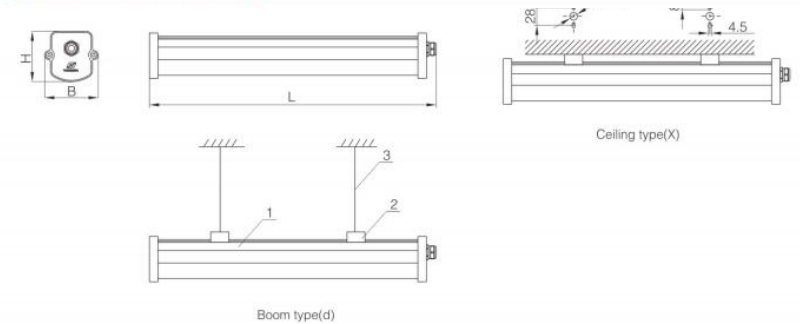
- Rated voltage: AC100 ~ 220V
- LED: 18W、36W
- Cable specification: $\Phi 10$ – $\Phi 14$ mm
- Protection class: IP65
- Anti corrosion grade: WF2
- Weight: 0.7kg(18W)
1kg(36W)

Distribution curve flux



Installation drawings

Installation drawings



Type	L	B	H	No.	Name	Quantit	Remarks
HRZM-G-6110-XL18	680	83	78	1	Fixed luminaires for LED modules	1	
HRZM-G-6110-XL18L	1280			2	Mounting bracket	2	
HRZM-G-6110-XL36	1280			3	Wirerope	2	

Ordering information

Orderig code	Power(W)	Illuminant	CT(K)	Luminous flux(lm)	Average life of illuminant(h)
HRZM-G-6110-XL18	18	LED	5000	2000	30000
HRZM-G-6110-XL18L				4000	
HRZM-G-6110-XL36	36				

Note: With emergency function, the emergency time is 90min.

MOBILE LIGHT TOWER



YZ2-2.35FA 4x500W



◎ Product introduction

- **High efficiency and energy saving:** The light source has high luminous efficiency, high color rendering and long service life.
- **Lighting performance:** The lamp panel is composed of four 500 watt halogen lamps; Each lamp holder can be adjusted left and right or pitch separately according to the needs of the site, and rotate to achieve 360° multiplex-directional lighting; The lamp holder can also be evenly distributed on the lamp panel to illuminate in four directions; The overall lighting is far and near, with high brightness and wide range.
- **Lifting performance:** Four telescopic cylinders are selected as the lifting adjustment mode, and the coverage radius of lamp holder can reach 35-55m; The electric air pump can quickly control the rise and fall of the telescopic cylinder, rotate the lamp holder up and down, adjust the irradiation angle, and the lighting coverage radius can reach 100-150m.
- **Easy operation:** Through wireless remote control, the opening and closing of each lamp can be controlled within 50m, and the air pump or manual air valve can be used to control the lifting of the telescopic rod.
- **Applicable performance:** It is made of metal materials, with compact structure and stable performance, which can ensure normal operation under various harsh environments and climatic conditions. The rainproof, water spray and wind resistance grade is grade 8 (windproof rope is required). Universal wheel and rail wheel are installed at the bottom of generator set, which can run on potholes and rails.

◎ Technical data

- Lamp panel: Lamp holderpower: 4 × 500W(Halogen lamp)
Lamp holderLuminous flux: 4 × 9500 lm
Light source life: 2000h
- Lighting height: Minimum height: 1350mm
Maximum height: 4400mm
- Working voltage: AC220V/50Hz
- Working hours: Fill the fuel at one time: 13h
Mains: long time
- Generator Set: Rated output voltage: AC220V/50Hz
Power/Tank capacity: 2000W/14.5L
- Overall dimension (L×W×H): 770mm × 460mm × 2040mm
- Lamp holderDegree of protection(lamps): IP65
- Weight: Weight of Lifting rod: 9.2kg
Lamp panelWeight: 9.6kg
Generator SetWeight: 62.3kg

◎ Ordering instructions

- The conventional configuration of the generator is Honda.

MOBILE LIGHT TOWER



FD-FBS 24W/8W



Schematic diagram of lifting rod after folding

Technical data

- Rated voltage: 14.4V
- Rated capacity: 10Ah
- Light source: LED(24/8W)
- Average service life: 100000h
- Continuous working time: Strong light: ≥ 9.3 h
Working light: ≥ 14 h
- Charging time: After normal use: ≤ 8 h
After the battery runs out: ≤ 12 h
- Battery life: About 1000 cycles
- Overall dimension (L×W×H): 435mm × 210mm × 240mm
- Lighting height (maximum lifting height): 1.2m
- Explosion proof sign: Ex de IIC T6 Gb
- Degree of protection: IP66/IP67
- Weight: 8.8kg

Product introduction

- **Safe and reliable:** This product has explosion-proof performance, breaks through the traditional lamp holder explosion-proof and non explosion-proof defect of lamp box, and can work in various flammable and explosive places.
- **High efficiency and energy saving:** LED light source is selected, with high luminous efficiency and high color rendering.
- **The light distribution is scientific:** The light distribution design is reasonable, the irradiation distance is long and the illumination is high.
- **Waterproof and fall resistant:** Alloy shell is used to ensure that the product can withstand collision and impact.
- **Economic and environmental protection:** High energy memory less battery with large capacity, long service life, recyclable use and low self discharge rate; Intelligent chip control is adopted to prevent overcharge, over discharge and short circuit, protect the battery and prolong battery life.
- **Intelligent control:** The lamp is equipped with two working modes: strong light and working light, which are controlled by intelligent chip, and the strong and weak light can be converted arbitrarily.
- **Electric quantity detection:** Set the power indicator function to know the power status of lamps at any time.
- **Lifting performance:** The lamp adopts three telescopic rods as the lifting adjustment mode. The lamp holder is reasonably designed. The lamp can be adjusted at any angle up, down, left and right to realize multiplex angle and multiplex directional lighting.
- **Convenient and flexible:** reasonable structural design, the lifting rod can be folded upside down, making the lamp small and compact; A lifting rod placement position is arranged above the handle, which is convenient to move and carry, without interference in the moving process, and improves the portability of the lamp.
- **Diverse choices:** The lamps are usually spotlight lighting, and the use of astigmatism parts can make the lamps realize floodlighting. Users can choose according to the actual operation requirements.

MOBILE LIGHT TOWER



GAD516 50W/25W



© Technical data

- Rated voltage: 16V
- Rated capacity: 12.8Ah
- Light source: LED(50/25W)
- Continuous service life: 100000h
- Continuous discharge time: Strong light: ≥ 8 h
Working light: ≥ 16 h
- Luminous flux: Strong light: ≥ 6000 lm
Working light: ≥ 3000 lm
- Lighting height: Minimum height: 800mm
Maximum height: 1370mm
- Charging time: ≤ 10 h
- Battery life: About 1000 cycles
- Overall dimension (L×W×H): 290mm×225mm×765mm
- Degree of protection: IP65
- Weight: 7.4kg

© Ordering instructions

- The products are available in type I and type II specifications according to different places:
 - I: Equipped with track wheel
 - II: Equipped with casters
 - If you need other lighting heights, please contact the company and indicate when ordering
-

MOBILE LIGHT TOWER



GAD505H-III 2x60W



⦿ Technical data

- Lamp panel: Lamp holder power: 2×60W(LED)
- Lamp holder Luminous flux: 2×7200 lm
- Average service life: 50000h
- working hours: Fill the fuel at one time: 10h
- Lighting height: Minimum height: 1200mm
Maximum height: 2500mm
- Generator Set: Rated output voltage: AC220V/50Hz
Power/Tank capacity: 700W/1.6L
- Overall dimension (L×W×H): 457mm×400mm×1200mm
- Lamp holder Degree of protection: IP65
- Weight: 25kg

⦿ Ordering instructions

- Note: Please order according to the following code:
GAD505H- III - J Spotlight cap;
GAD505H- III - F Floodlight cap.

MOBILE LIGHT TOWER



GAD806 6x240W



GAD806-XL6X240/Z



GAD806-XL6X240/S

Technical data

Lamp

- lamp panel power: 6 × 240W(LED)
- Luminous flux: 6 × 28800 lm
- Vertical flip (electric): 0°~90°
- Degree of protection(lamp): IP65

Alternator

- Voltage: 220V
- Rate: 50Hz
- Output power: 7KW

Support foot

- Quantity: 4
- Operation mode:
GAD806/Z: Hydraulic type
GAD806/S: Manual type

Camera (optional)

- Video transmission: 4G
Support Unicom, mobile and telecom channels
- Video pixels: ≥3 million
- Rotation angle rotation angle
horizontal 360, 90 degrees up
and down

Motor

- Output power: 7.2KW
- Oil consumption: 1.67L/h
- Tank Capacity: 95L
- Full fuel delivery time: ≥95h
- Noise(7m): ≤70db

Lifting rod

- Operation mode: Hydraulic type
- Maximum height: 10m
- Lifting time: ≤14s
- Landing time: ≤16s
- Rotation angle: 360°

Lighthouse

- Maximum overall dimension
(working time) (L × W × H):
3225mm × 2421mm × 10290mm
- Minimum overall dimension
(during transportation)
(L × W × H):
2580mm × 1300mm × 2280mm
- Wind resistance grade: Grade 8
- Total weight (without fuel): 980kg
- Maximum towing speed: 80km/h

Ordering instructions

- GAD806 L6X240/Z Automatic hydraulic support feet.
- GAD806 L6X240/S Manual support foot.
- Please indicate when ordering.

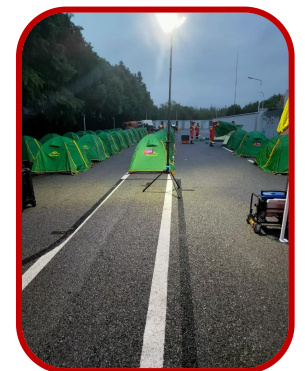
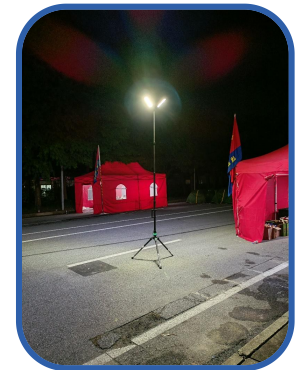
MOBILE LIGHT TOWER



RLEIE5002 150W/60W/30W/18W



Parameter Name		Unit	Data
Power		W	150/60/30/18
Voltage		V	22.2
Capacity		Ah	22.2
LED	CCT	K	6000-6500
	lifespan		100000
Work time	Strong light	H	≥4
	Work light		≥8
	Weak light		≥16
Height	Min height	mm	1750
	Max height		3620
Charging time		H	6
Battery life		loops	~1000
USB output		DC5V/2A	
Overall dimensions		mm	1030*175*175
Weight		kg	8.7
IP rating		200	IP66



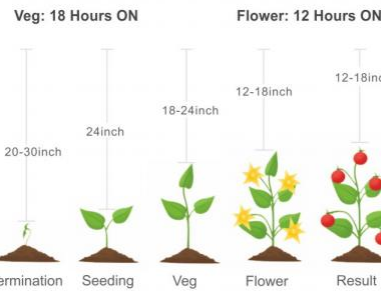
GROW LIGHTS

HRS-GL8601-P630 630W



SPECIFICATIONS

Product drawing	Specifications	
	Input power	630W
	Efficacy (umol/J)	2.8
	PPF (umol/S)	1764
	Fixture dimensions	1130×1065×112mm
	Package dimensions	1170×110×640mm
	Number of packages	1
	Fixture weight	23.4Lb/10.6kg
	Input voltage	Autosensing 120-277V/347-480V
	Mounting height	≥6"(15cm) Above Canopy
	Thermal management	Passive
	Lifetime	50,000hrs
	Power factor	≥90%
	Colour rendering index	≥85ra
	Ambient temperature	-40~+40°C
	Storage environment	-40~+85°C RH10~95%
	Chip	Samsung/Osram/China
	CCT	4000K
	The light wavelength	400-800nm

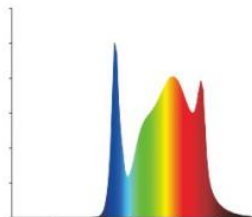


HRS-GL8601-P630

V series folding LED plant lights is designed for indoor house plants, easy to adjust the light angle and lighting area, flexible control, suitable for small planting boxes, planting tents, DIY hydroponics, bonsai gardens and so on.

TECHNICAL SPECIFICATIONS

This powerful, full spectrum light source is intended for full termplant growth from the vegetativestage to the higher-light-requiring bloom and finishing stages.



PPFD MAP

688.2	897.06	912.39	972.12	636.97	599.93	747.19	788.72	737.14	578.15	454.51	547.11	569.84	523.66	430.29	350.64	421.41	441.54	404.89	336.91	285.45	325.6	336.89	314.34	275.66
811.07	1017.8	1051.2	999.55	792.5	700.8	882.88	930.31	868.85	677.13	520.18	650.97	676.48	630.27	499.57	417.94	487.95	506.98	474.89	398.31	322.89	365.94	379.06	357.02	307.81
869.41	1091.1	1106.5	1069.8	832.94	710.42	923.31	982.09	900.4	696.51	558.63	669.86	713.96	650.01	532.81	435.05	514.16	534.24	496.09	415.92	337.24	382.82	395.07	373.04	321.39
848.38	1017.2	1064.4	996.07	821.38	711.17	900.18	944.72	897.18	694.65	532.81	652.08	680.64	631.25	510.71	417.34	490.4	508.67	471.67	399.08	322.34	367.31	378.82	358.44	310.89
701.95	903.25	934.99	887.16	676.24	602.09	807.7	810.67	772.53	588.93	452.57	556.11	583.22	540.14	447.14	362.74	422.88	440.71	409.83	343.64	285.1	324.81	336.02	318.72	278.59

Height: 12 inch

Height: 18 inch

Height: 24 inch

Height: 30 inch


Height: 40 inch

GROW LIGHTS

HRS-GL8601-P800 800W



SPECIFICATIONS

Product drawing	Specifications	
	Input power	800W
	Efficacy (umol/J)	2.8
	PPF (umol/S)	2240
	Fixture dimensions	1130×1065×112mm
	Package dimensions	1170×110×640mm
	Number of packages	1
	Fixture weight	23.4Lb/10.6kg
	Input voltage	Autosensing 120-277V/347-480V
	Mounting height	≥6"(15cm) Above Canopy
	Thermal management	Passive
	Lifetime	50,000hrs
	Power factor	≥90%
	Colour rendering index	≥85ra
	Ambient temperature	-40~+40°C
	Storage environment	-40~+85°C RH10~95%
	Chip	Samsung/Osram/China
	CCT	4000K
	The light wavelength	400-800nm

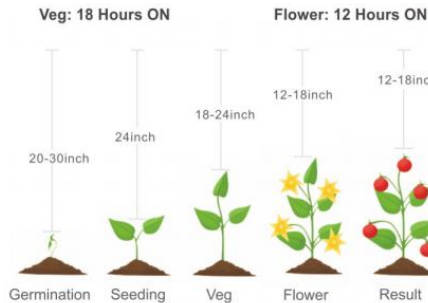
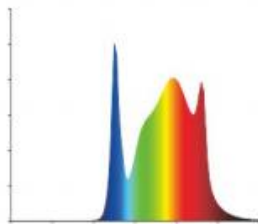


HRS-GL8601-P800

V series folding LED plant lights is designed for indoor house plants, easy to adjust the light angle and lighting area, flexible control. suitable for small planting boxes, planting tents, DIY hydroponics, bonsai gardens and so on.

TECHNICAL SPECIFICATIONS

This powerful, full spectrum light source is intended for full termpant growth from the vegetativestage to the higher-light-requiring bloom and finishing stages.



PPFD MAP

977.02	1095.0	1123.9	1101.5	1014.7	769.58	868.64	900.82	978.76	795.18	621.99	691.72	716.87	694.73	628.42	494.76	540.61	556.79	540.26	497.56	353.11	380.77	391.75	383.57	360.59
986.10	1067.7	1122.8	1120.4	1030.1	781.58	888.62	933.22	917.80	832.78	646.82	721.18	751.61	733.0	669.59	516.23	566.45	589.67	574.93	530.20	367.97	397.83	410.77	403.22	378.46
925.15	1029.5	1094.9	1092.9	1001.9	771.29	887.70	937.53	921.22	828.85	643.07	726.79	761.87	744.95	673.96	516.94	573.18	596.46	584.87	535.12	372.25	402.27	415.44	408.12	381.44
985.26	1075.1	1136.9	1126.9	1045.9	787.39	890.41	933.75	915.21	832.11	624.17	709.53	741.07	733.29	669.22	509.0	559.4	585.6	572.66	526.09	366.06	394.12	407.47	400.03	373.76
968.41	1062.1	1120.0	1097.5	1003.4	766.76	861.96	894.67	871.99	782.98	598.73	672.23	699.49	684.10	620.45	478.6	528.55	547.86	535.83	488.93	346.83	373.42	384.14	377.16	351.93

Height: 12 inch

Height: 18 inch

Height: 24 inch

Height: 30 inch

Height: 40 inch

GROW LIGHTS

HRS-GL8601-P1000 1000W

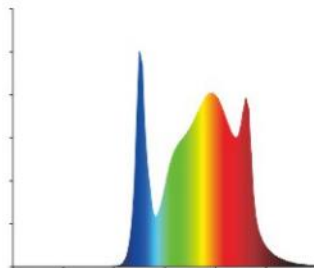


HRS-GL8601-P1000

V series folding LED plant lights is designed for indoor house plants, easy to adjust the light angle and lighting area, flexible control. suitable for small planting boxes, planting tents, DIY hydroponics, bonsai gardens and so on.

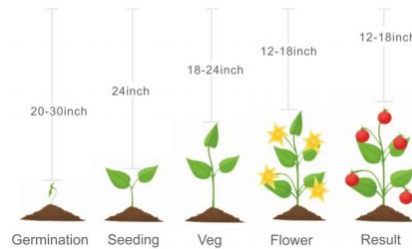
TECHNICAL SPECIFICATIONS

This powerful, full spectrum light source is intended for full termpant growth from the vegetativestage to the higher-light-requiring bloom and finishing stages.



Veg: 18 Hours ON

Flower: 12 Hours ON



SPECIFICATIONS

Product drawing	Specifications	
	Input power	1000W
	Efficacy (umol/J)	2.8
	PPF (umol/S)	2800
	Fixture dimensions	1130×1065×112mm
	Package dimensions	1170×110×640mm
	Number of packages	1
	Fixture weight	23.4Lb/10.6kg
	Input voltage	Autosensing 120-277V/347-480V
	Mounting height	≥6"(15cm) Above Canopy
	Thermal management	Passive
	Lifetime	50,000hrs
	Power factor	≥90%
	Colour rendering index	≥85ra
	Ambient temperature	-40~+40°C
	Storage environment	-40~+85°C RH10~95%
	Chip	Samsung/Osram/China
	CCT	4000K
	The light wavelength	400-800nm



PPFD MAP



Height: 12 inch

Height: 18 inch

Height: 24 inch

Height: 30 inch

Height: 40 inch



OUTDOOR LIGHTS



HRS-FL001~004



HRS-FL001 (10W)
 HRS-FL002 (20W)
 HRS-FL003 (30W)
 HRS-FL004 (50W)

HRS-FL001-S (10W)
 HRS-FL002-S (20W)
 HRS-FL003-S (30W)
 HRS-FL004-S (50W)

“S” with Motion sensor

LED Floodlight

- Die-casting Aluminium body, PC diffuser
- Colortemperature (in Kelvin) available: 2700K, 3000K, 3500K, 4200K, 5000K, 6500K
- Color rendering Index(Ra)available ≥ 80
- Energy efficiency Class: F

Installation method



- Detectionarea: 120°DetectionAngle
- Max.distanceapprox: 10±2M
- Durationtime: 10±5Sec.to 5±1 Minutes Adjustable
- IP65 Voltage: 220-240V
- WorkingTemperature: -20°C~50°C

Model	Power	Total Lumens Flux	Useful Luminous Flux	Peak Intensity	Demeision(mm) L x B x H
FL001	10W	900LM	800LM	400cd	115x32x96.5
FL001-S	10W	900LM	800LM	400cd	115x32x154
FL002	20W	1900LM	1600LM	800cd	140x32x123
FL002-S	20W	1900LM	1600LM	800cd	140x35x172
FL003	30W	3100LM	2500LM	1200cd	181x32x168
FL003-S	30W	3100LM	2500LM	1200cd	181x35x208
FL004	50W	5100LM	4150LM	2000cd	232x32x206
FL004-S	50W	5100LM	4150LM	2000cd	232x35x247

HRS-LQ001

Power: 30W

LED Worklight

- ABS body, white PC diffuser
- Color temperature (in Kelvin) available:
2700K, 3000K, 3500K, 4200K, 5000K, 6500K
- Color rendering index (Ra) available > 80
- Working Temperature: -20°C~50°C
- **Energy efficiency Class: F**
- IP54 Voltage: 220-240V/AC~50/60Hz



HRS-LQ001
Power: 30W



HRS-LQ003
Power: 30W



Model	Power	Total Lumens Flux	Useful Luminous Flux	Peak Intensity	Dimension (mm) L x B x H
LQ001	30W	3200LM	3200LM	NA	232*205*205
LQ003	30W+6W	3200LM+500LM	3200+500LM	NA	232x205x205

HRS-WL003XS

Power: 10W



Rechargeable LED Worklight

- Plastic body, PC diffuser
- Colortemperature(in Kelvin)available:
2700K,3000K,3500K,4200K,5000K,6500K
- Color rendering Index(Ra)Ra ≥ 80
- WorkingTemperature: -20°C~45°C
- 25%,50%, 100%, flash, dimming design
- Micro-USB charging(Attached USB data line)
- Battery electric power indicate
- IP54 DC 5V



Model	Power	Li-ion Battery	LED	Typical Luminous (100%)	Demeision(mm) L x B x H
WL003XS	10W	3.7V2200mA	COB	1000LM	100x100x45mm

HRS-L005

Power: 2*15W

LED WALL LIGHT

- Die-casting Aluminium body
- Color rendering Index(Ra) $Ra \geq 80$
- **Energy efficiency Class: F**
- Working Temperature: $-20^{\circ}\text{C} \sim 50^{\circ}\text{C}$
- Detection area: 120° Detection Angle
- Max. distance approx: 10M
- Duration time: 10 ± 5 Sec to 5 ± 1 Minutes Adjustable
- IP54 Voltage: 220-250V~50/60Hz



HRS-L005-A

Power: 2*15W

HRS-L005-AS

Power: 2*15W

Model	Power	Total Lumens Flux	Useful Luminous Flux	Peak Intensity	Demeision(mm) L x B x H
L005-A	2x15W	3200LM	3200LM	NA	245x122x119
L005-AS	2x15W	3200LM	3200LM	NA	245x127x119

“S” with Motion sensor

HRS-L001/002

Power: 10W/20W



LED WALL LIGHT

- Die-casting Aluminium body
- Color temperature (in Kelvin) available: 2700K, 3000K, 3500K, 4200K, 5000K, 6500K
- Color rendering Index (Ra) $Ra \geq 80$
- Energy efficiency Class: F
- Working Temperature: $-20^{\circ}\text{C} \sim 50^{\circ}\text{C}$
- Detection area: 120° Detection Angle
- Max. distance approx: 10M
- Duration time: 10 ± 5 Sec to 5 ± 1 Minutes Adjustable
- IP54 Voltage: 100-240V ~ 50/60Hz



HRS-L001-S
Power: 10W



HRS-L002-S
Power: 20W

Model	Power	Total Lumens Flux	Useful Luminous Flux	Peak Intensity	Demeision(mm) L x B x H
L001-S	10W	850LM	850LM	NA	85x100x200
L002-S	20W	1700LM	1700LM	NA	252.5x91x136.5

HRS-WL001/002

Power: 10W/20W

LED WALL LIGHT

- Die-casting Aluminium body
- Color temperature (in Kelvin) available: 2700K, 3000K, 3500K, 4200K, 5000K, 6500K
- **Energy efficiency Class: E**
- Color rendering Index (Ra) $Ra \geq 80$
- Working Temperature: $-20^{\circ}\text{C} \sim 50^{\circ}\text{C}$
- Detection area: 120° Detection Angle
- Max. distance approx: 10M
- Duration time: 10 ± 5 Sec to 5 ± 1 Minutes Adjustable
- IP54 Voltage: 220-240V~ 50/60Hz



HRS-WL001-A
Power: 10W



HRS-WL001-AS
Power: 10W



HRS-WL002-A
Power: 20W



HRS-WL002-AS
Power: 20W

Model	Power	Total Lumens Flux	Useful Luminous Flux	Peak Intensity	Demeision(mm) L x B x H
WL001-A	10W	1000LM	950LM	500	90x60x206
WL001-AS	10W	1000LM	950LM	500	90x80x238
WL002-A	20W	2100LM	1900LM	1000	198x60x206
WL002-AS	20W	2100LM	1900LM	1000	198x80x238

HRS-L001-X / L001-XS

Power: 7W

LED WALL LIGHT

- Plastic body, clear PC diffuser.
- Colortemperature(inKelvin) available:
2700K, 3000K, 3500K, 4200K, 5000K, 6500K
- Color rendering Index(Ra)Ra ≥ 80
- **Energy efficiency Class: F**
- Working Temperature:-20°C~50°C

- Detectionarea: 90°DetectionAngle
- Max.distanceapprox: 8M
- Duration time: 10±5 Sec to 5±1 MinutesAdjustable
- IP44 Voltage:220-240V~ 50/60Hz



HRS-L001-X

Power:7W



HRS-L001-XS

Power:7W

Model	Power	Total Lumens Flux	Useful Luminous Flux	Peak Intensity	Demeision(mm) L x B x H
L001-X	7W	830LM	730LM	350cd	182x104x204
L001-XS	7W	830LM	730LM	350cd	182x104x204

“S” with Motion sensor

HRS-L002-X / L002-XS

Power: 13W

WALL LIGHT

- Plastic body, clear PC diffuser.
- Color temperature (in Kelvin) available: 2700K, 3000K, 3500K, 4200K, 5000K, 6500K
- Color rendering Index(Ra) $Ra \geq 80$
- **Energy efficiency Class: F**
- Working Temperature: $-20^{\circ}\text{C} \sim 50^{\circ}\text{C}$

- Detection area: 90° Detection Angle
- Max. distance approx: 8M
- Duration time: 10 ± 5 Sec to 5 ± 1 Minutes Adjustable
- IP44 Voltage: 220-240V~ 50/60Hz



HRS-L002-X
Power:13W



HRS-L002-XS
Power:13W



Model	Power	Total Lumens Flux	Useful Luminous Flux	Peak Intensity	Demeision(mm) L x B x H
L002-X	13W	1550LM	1350LM	620cd	207x110x222
L002-XS	13W	1550LM	1350LM	620cd	207x110x222

“S” with Motion sensor

HRS-L001-AW/AWS

Power: 20W

LED Wall Pack



WALL LIGHT

- Die-casting Aluminium body
- Color rendering Index(Ra) $Ra \geq 80$
- Energy efficiency Class: E
- Working Temperature: $-20^{\circ}\text{C} \sim 50^{\circ}\text{C}$
- CCT: FROM 2700K TO 6500K
- Dim: FROM 0% TO 100%
- IP54 Voltage: 220-250V~ 50/60Hz



HRS-L001-AW
Power: 20W



HRS-L001-AWS
Power: 20W

Model	Power	Total Lumens Flux	Useful Luminous Flux	Peak Intensity	Demeision(mm) L x B x H
L001-AW	20W	2300LM	2300LM	NA	160x131x119
L001-AWS	20W	2300LM	2300LM	NA	160x140x119

“S” with Motion sensor

SMART LED WALLPACK

HRS-FL8201 30W/50W



HRS-FL8201

HRS-FL8201

Outdoors and Indoor usage, perfect lighting solution for garages, stairs, courtyard, backyard, forecourt, tree, house, warehouse etc.

With 3 motion sensor modes, TIME, SENS and LUX with customisable settings for light duration, motion sensitivity and lighting strength.

There are two power 30W and 50W to choose from.

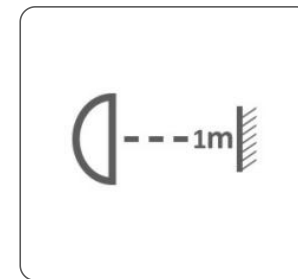
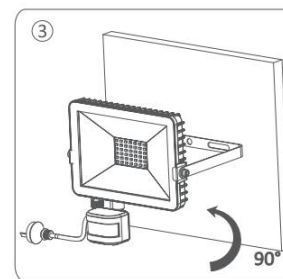
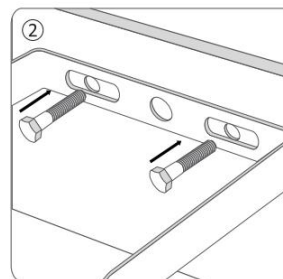
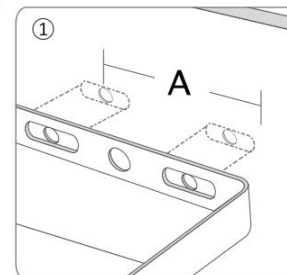
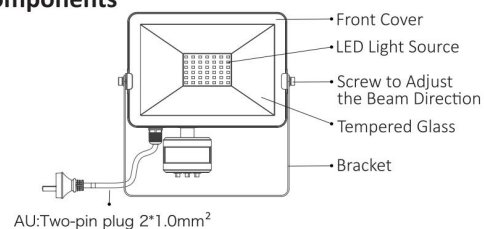
Excellent Brightness: LED units output 30W, 3000 Lumens, LED units output 50W, 5000 Lumens.

The motion sensor can be rotated 180° horizontally and 90° vertically

PRODUCT PARAMETER

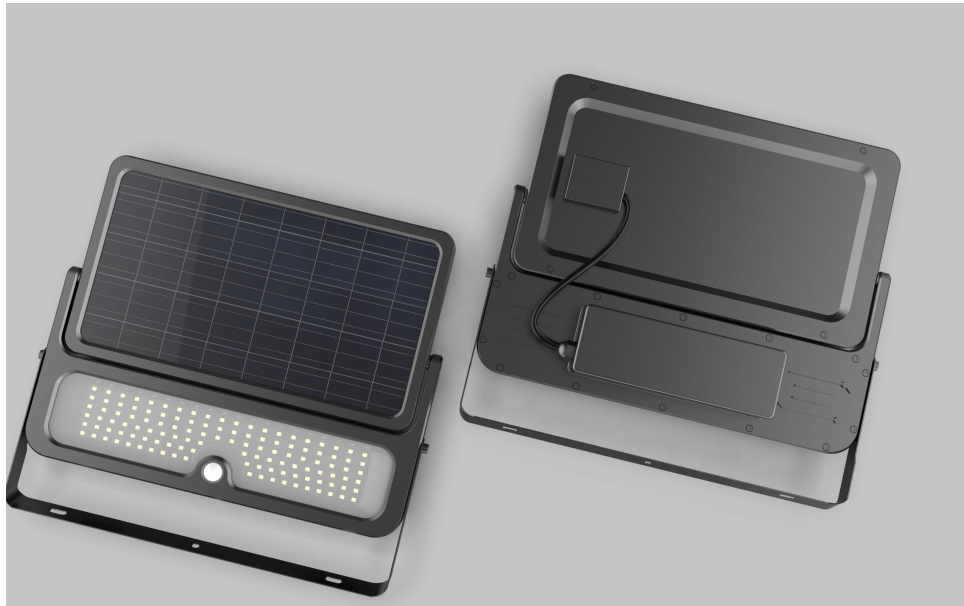
Product drawing	Product size(mm)	Specifications	
		Power	30W / 50W
		LEDs	SMD2835
		Color temperature	6000K
		Luminous efficacy	100Lm/W ±10%
		Luminous flux	3000 / 5000Lm
		Ra	> 80
		Beam angle	110°
		Input volatge	220-240V
		PF	> 0.9
		IP rating	IP65(Sensor IP54)
		Detection distance	4-12m
		Sensing angle	90°-180°
		Material	Graphene + toughened glass
		Warranty	3 years

2. Components



SMART LED WALLPACK

HRS-WL8406 5W



No.	Name	Unit	Data
1	Electrical data	Wattage	W
		Input Voltage	V(DC)
		Battery	AH
		Photovoltaic panel	V/W
2	Optical data	Lumen	lm
		LPW	lm/W
		CCT	K
		Ra	CRI
		Color tolerance	
3	Lifespan	H	50000
4	Detection time	H	PIR, 60S
5	Installation		Mounted
6	IP rating		IP65

1. Functional requirements:

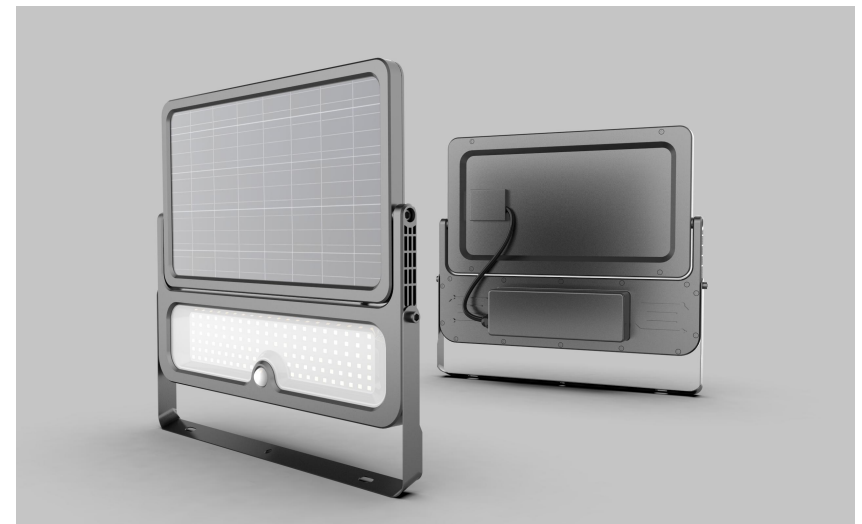
- A. PIR human body induction control switch lamp;
- B. Remote control (switch / dimming / timing);
- C. Charging adopts efficient architecture;
- D. Wall mounted.

2. Shell material: PC;

3. LED: 2835 3000k/4000k/5000k;

4. Energy storage power supply: 1/2 lithium iron phosphate 32650 batteries;

5. High efficiency polysilicon is used for solar photovoltaic panels;



OWL Solar Spot Light

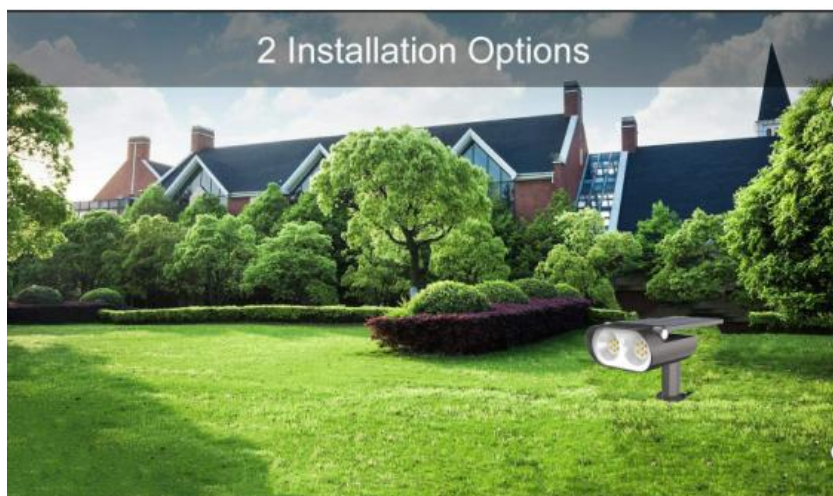
Wattage Selectable

1. Wattage Selectable



Feature and function:

1. Three brightness modes for choice: 100%-60%-30%;
Press 100% brightness for first time
Press 60% brightness for second time
Press 30% brightness for third time.
2. Automatically switch by detecting the brightness of the surroundings: Light off at dawn and Light up at dusk.
3. 32PCS High brightness LED chip and energy-dense battery 18650;
4. Light head can be adjusted 180° vertically ;
5. Solar panel can be adjusted 90° Vertically ,which is best for best solar absorption;
6. Two installation methods: Ground plug and wall mount;
7. IP65: Perfect for courtyards, gardens, paths, etc.
8. Comply with CE and FCC ;



Parameter	
Battery	1*18650 3.7V 1800mAh
Solar Panel	5.5V 85*137mm 1.5-1.8W
Modes	100%-60%-30%
LED chips	32PCS 2825
Lumen Output maximum	200lm
Color temperature	3000/4000K/5000K/6500K (optional)
Charging time	>5H
Working time	Default starting output: 200lm; 0-0.3h: 200lm; 0.3-1h: 140lm; 1-2h: 100lm; 2-4h: 40lm; 4-6h: 20lm; 6-Dawn: 14lm
IP	IP65
Material	PC+ABS

OWL Solar Spot Light

RGB manual control

2. RGB manual control



Long Press 3s to turn on the lamp and enter Color Cycle Mode



Press for 1s to fix a single Color



Press again for 3s to turn off the lamp

Feature and function:

1. Long Press 3s to turn on the lamp and enter Color Cycle Mode;
2. Press for 1s to fix a single Color
3. Press again for 3s to turn off the lamp
4. 8PCS high brightness LED chip and energy-dense battery 18650;
5. Light head can be adjusted 180° vertically;
6. Solar panel can be adjusted 90° Vertically, which is best for best solar absorption;
7. High efficiency polysilicon solar panels;
8. Two installation methods: Ground plug and wall mount;
9. IP65: Perfect for courtyards, gardens, paths, etc
10. Comply with CE and FCC ;

Parameter :

Battery	1*18650 3.7V 1800mAh
Solar Panel	5.5V 85*137mm 1.5W
Modes	RGB Cycle+Color fixing
LED chips	8PCS 5050
Color	RGB
Lumen Output maximum	60lm
Charging time	>5H
Working time	>8H
IP	IP65
Material	PC+ABS

OWL Solar Spot Light

Remote control

3. Remote control



Feature and function:

- 1.Remote control :On-Off ;
- 2.Remote control CCT: 3000K-4000K-6000K
- 3.Remote control dimming: 30%-60%-100% for choice
- 4.Remote control timing: 4H 6H 8H for choice
- 3.2*16PCS High brightness LED chip and energy-dense battery18650;
- 4.Light head can be adjusted 180° vertically;
- 5.Solar panel can be adjusted 90° Vertically ,which is best for best solar absorption;
- 6.Two installation methods:Ground plug and wall mount;
- 7.IP65:Perfect for courtyards, gardens, paths, etc
- 8.Comply with CE and FCC ;

Parameter	
Battery	1*18650 3.7V 1800mAh
Solar Panel	5.5V 85*137mm 1.5W
Modes	Remote control
LED chips	2*16PCS 2825
CCT	3000K-6500K
Lumen Output maximum	200lm
Timing	2H 4H 6H
Charging time	>5H
Working time	>8H
IP	IP65
Material	PC+ABS

OWL Solar Spot Light

Tuya Smart control

4. Tuya Smart control



Feature and function:

1. Equipped with Tuya Smart, you can check the battery power through the mobile phone, and control the functions of dimming, color adjustment, scene, music rhythm, etc;
2. Automatically switch by detecting the brightness of the surroundings: Light off at dawn and Light up at dusk
3. 8PCS high brightness LED chip and energy-dense battery 18650;
4. Light head can be adjusted 180° vertically;
5. Solar panel can be adjusted 90° vertically, which is best for best solar absorption;
6. Two installation methods: Ground plug and wall mount;
7. IP65: Perfect for courtyards, gardens, paths, etc
8. Comply with CE and FCC ;

Smartphone operation interface:



Parameter :

Battery	1*18650 3.7V 2000mAh
Solar Panel	5.5V 85*137mm 1.5-1.8W
Modes	Tuya App control
LED chips	8PCS 5050
Color	RGB+6500K
Lumen Output maximum	60lm
Charging time	>5H
Working time	>8H
IP	IP65
Material	PC+ABS

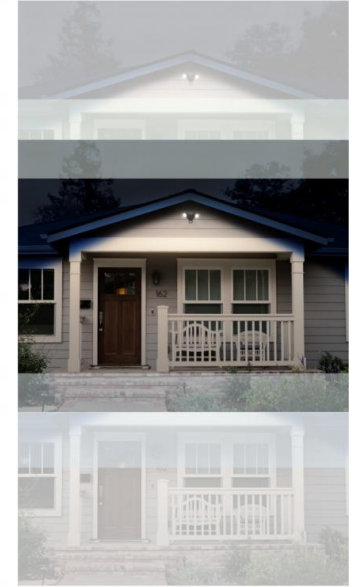
LED SECURITY LIGHTS

HRS-ML7301 10W/20W



PRODUCT PARAMETER

Product drawing	Product size(mm)	Specifications	
		Wattage	2x10W
		Lumen	3000K - 1800lm 4000K - 2000lm 6500K - 2000lm
		Color temperature	CCT
		IP rating	IP65(Sensor IP54)
		Beam angle	120°
		Ra	>80
		Sensor type	PIR sensor
		Detection Range	160°
		PIR sensor detection distance	2-15m
		Time-Delay	ON/OFF-5Sec±15% (Adjustable)
		Voltage	AC 220-240V
		Material	Alu+plastic
Shell color	Black/White(Alternative)		
Warranty	3 years		



HRS-ML7301

HRS-ML7301

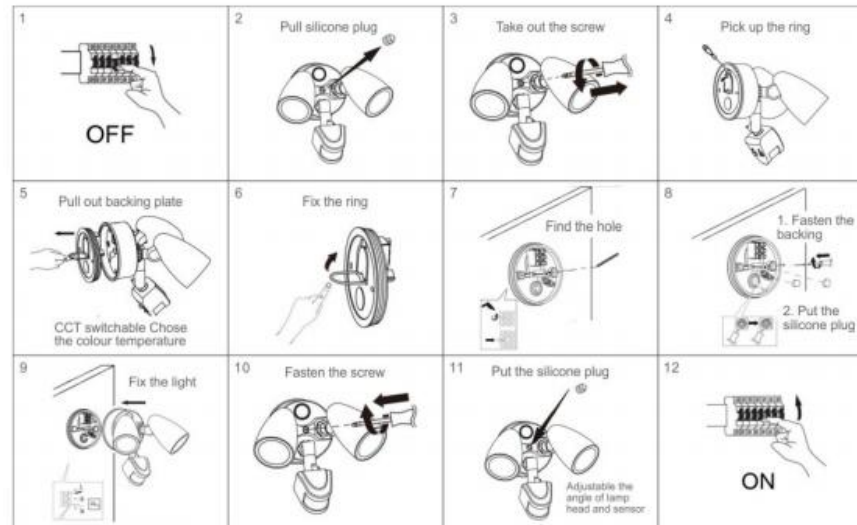
Perfect lighting solution for garages, stairs, courtyard corridor, workshops, industrial workstations, storage rooms, etc.

High sensitive PIR sensor.

This LED security light has two adjustable heads, you can rotate them to a position according to your needs.

Excellent Brightness: LED units output 20W, 2000 Lumens.

Featured with IP54 waterproof rating and better heating diffusion.


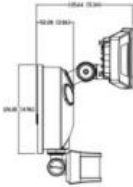
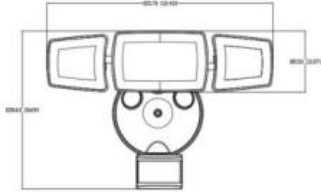
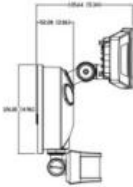


LED SECURITY LIGHTS

HRS-ML7303 25W



PRODUCT PARAMETER

Product drawing		Specifications	
		Voltage	110-130V/AC 50/60Hz
		Wattage	25W
		PF	0.5
		Color temperature	CCT
		Luminous Flux	2500Lm
		Ra	>80
		LEDs	SMD2835
		IP rating	IP65 (Sensor IP54)
		Beam angle	120°
		Detection type	PIR Sensor
		Detection range	160°
		Detection distance	2-15m
		Work temperature	-20°C-50°C
		Material	PA+PC
		Warranty	3 years

HRS-ML7303

HRS-ML7303

Perfect lighting solution for garages, courtyard, workshops, industrial workstations, storage rooms, equipment rooms, etc.

High sensitive PIR motion Sensor, and wireless remote control makes your operation more convenient.

Lighting hold time, brightness can be adjusted via remote control.

The security light heads and motion sensor can be adjusted to different angles what customer need.

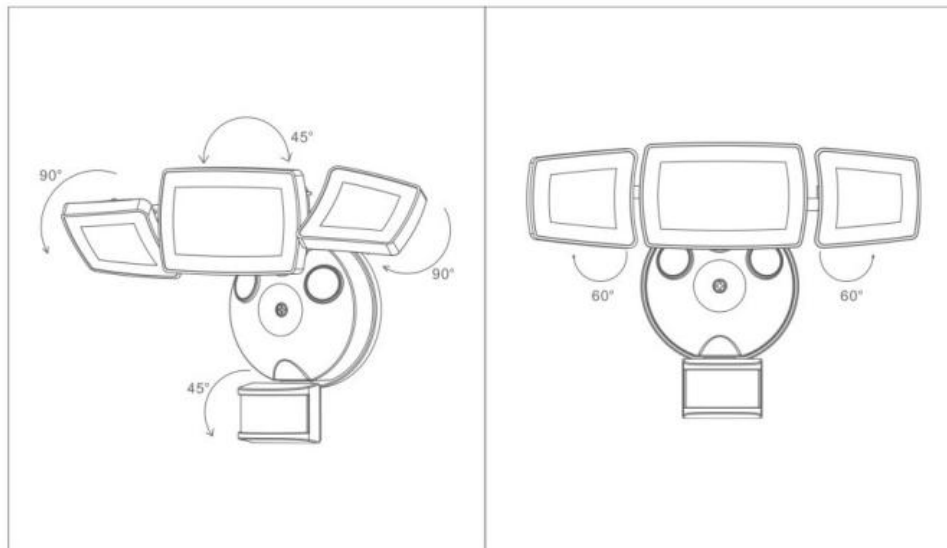
2500lm high brightness and low consumption.

CCT can be adjusted via remote control.

IP54 waterproof.

The outdoor lights made of high-quality PA material, with high heat dissipation and strong weatherability. Lower product weight reduce installation and transportation costs.

Energy conservation, environmental protection.



SUPER BRIGHTNESS



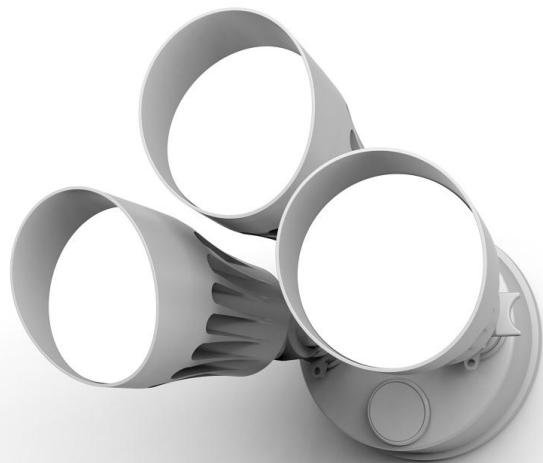
MOTION ACTIVATED

Bring Safe And Convenient Life To You



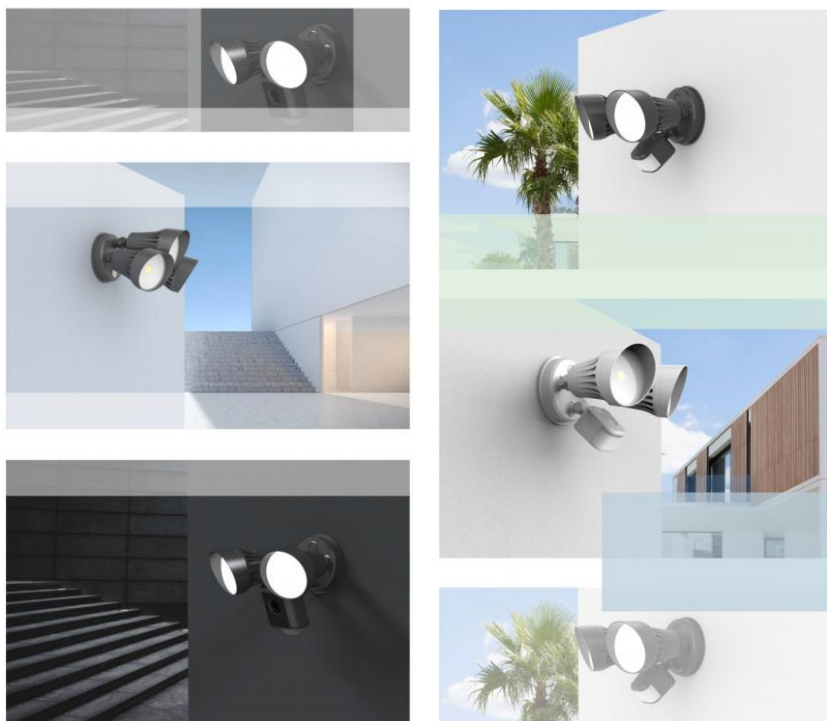
LED SECURITY LIGHTS

HRS-ML7306 20W/30W



POWER	20~30W	Input voltage(V)	120
Luminous flux(lm)	2000~3000lm	CRI (Ra)	80
Light effect(lm/W)	100	PF	0.5
CCT (K)	3000-5000	IP rating	IP65
Lightning surge	1KV	Lifespan (H)	30000

Function	1. Dual output
	2. Human body infrared induction, detection distance is 5-15 meters (brightness and time are adjustable)
	3. Dual color temperature switch (2835 for lamp beads)
	4. Can be equipped with camera
Structure	1. Wall Mounted , 2-3 lamps can be chosen
	2. Aluminum die-cast



HRS-ML7306

ADVANTAGE

With high flexibility human body infrared sensor, which is stable and sensitive. High precision light sense is adopted to accurately determine the external brightness and supplement the brightness in time. With bright Led light source, high luminous efficiency and energy saving. Structural waterproof design, suitable for indoor and outdoor scenes. Based on split structure design, it is easy to make the installation.

APPLICATION

Garage, Courtyard
Aisle, Corridor
Staircase, warehouse

LED SECURITY LIGHTS

HRS-ML7307 16W/24W



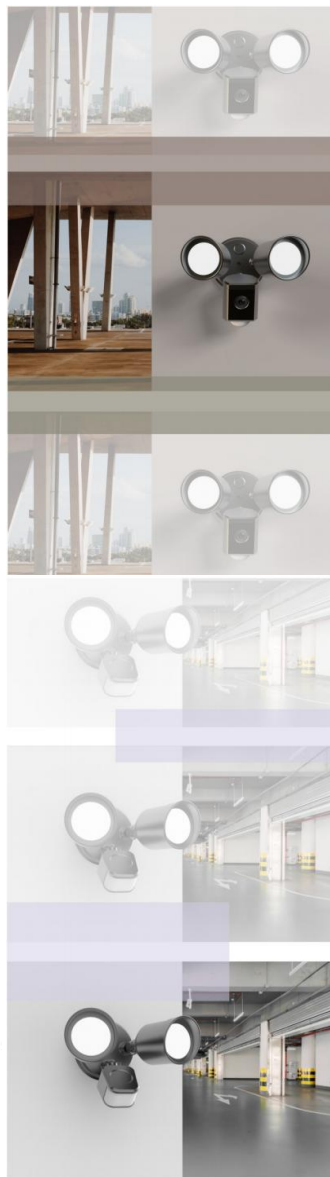
HRS-ML7307

ADVANTAGE

Built in HD camera and photosensitive detector.
 With Intercom microphone for video conversation.
 Face recognition system, stranger approaching triggers alarm
 Support mobile SD card storage and cloud storage.
 Security monitoring light (infrared sensor)
 Applicable to: garage, courtyard, aisle, corridor, staircase, warehouse.
 Support mobile SD card storage and cloud storage.
 It adopts structural waterproof design, which can be used in a variety of indoor and outdoor scenes.
 The split structure design makes installation and use more convenient.

APPLICATION

Garage, Courtyard
 Aisle, Corridor
 Staircase, warehouse



PRODUCT PARAMETER

Product drawing	Specifications	
	Wattage	16W
	Lumen	1600lm
	Voltage	108-132VAC /108-277VAC (North America) 220-240VAC (EU/CN)
	PF	0.5/0.9
	Color Temperature	3000K/4000K/5000K
	Luminous Efficacy	100lm/W
	Ra	Ra≥80 ; R9≥0
	Wattage	24W
	Lumen	2400lm
	Voltage	108-132VAC /108-277VAC (North America) 220-240VAC (EU/CN)
	PF	0.5/0.9
	Color Temperature	3000K/4000K/5000K
	Luminous Efficacy	100lm/W
	Ra	Ra≥80 ; R9≥0
Installation Method	Mounted	
Shell Color	Gray/Black	
Material	Aluminium die-cast	

HRZM LED FLOOD LIGHTS

HRS-FL8202 20W/30W/50W



Dimmable RGBCW Lights



HRS-FL8202

HRS-FL8202

Functions and features:

WiFi+ Bluetooth tuya mesh control.

Easy remote control via "Smart Home" App.

There are four power 20W, 30W and 50W to choose from.

Featured with IP65 waterproof rating.

Two optional modes: RGB and RGBCW are available.

The user can control 20W, 30W and 50W lights in the Mesh network by connecting to any wireless flood light in the Mesh network through a mobile phone.

Fixed-time control and there are 16 million dimmable colors and different lighting scenes to choose from. Stage floodlight can change colors according to rhythm of music melody.

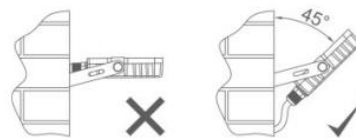
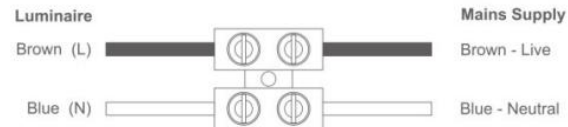
Work with Alexa and Google Home, support voice and application control.

Different application scenarios: Party, Garden, Landscape, Wallwash and so on.

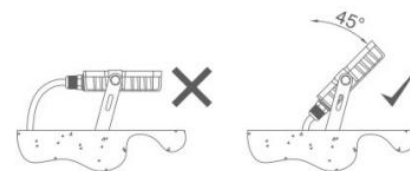
PRODUCT PARAMETER

Product drawing	Product size(mm)	Specifications	
		Power	Luminous flux
		20W	1600lm
		30W	2400lm
		50W	4000lm
		Other	
		Luminous efficacy	80Lm/W
		LED	2835
		Color	RGB, Cool white, Warm white
		Beam angle	110°
		Input volatge	AC220-240V / 110-130V
PF	> 0.5		
IP rating	IP65		
Warranty	3 years		
Control method	WiFi+BLE		
Special Features			
8 light modes, timing setting, group control, intelligent programming, music mode, supports color saturation brightness adjustment, use smart home APP			

Wiring Details



Wall Wash Installation



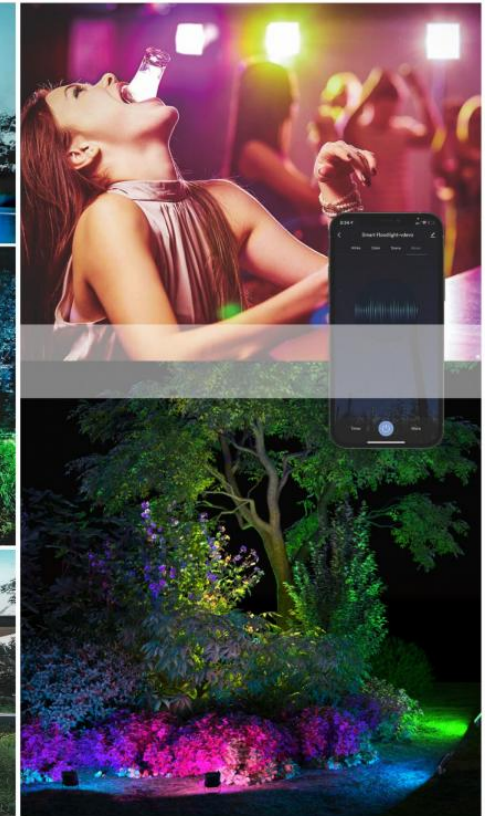
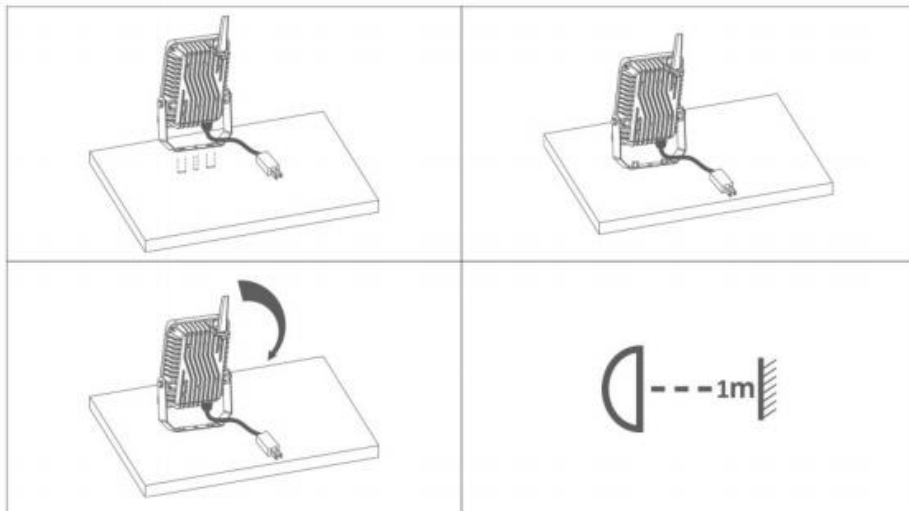
Ground Installation

HRZM LED FLOOD LIGHTS

HRS-FL8203 25W/40W

PRODUCT PARAMETER

Product drawing	Product size(mm)	Specifications	
		Power	Luminous flux
		25W	2000lm
		40W	3200lm
		Other	
		Luminous efficacy	>80Lm/W
		LED	2835
		Color	RGB, Cool white, Warm white
		Beam angle	110°
		Input voltage	AC220-240V / 110-130V
		PF	> 0.5
	IP rating	IP65	
	Warranty	3 years	
	Control method	WiFi+BLE	
	Special Features		
	8 light modes, timing setting, group control, intelligent programming, music mode, supports color saturation brightness adjustment, use smart home APP		



HRS-FL8203



HRS-FL8203

Functions and features:

WiFi+ Bluetooth tuya mesh control.

Easy remote control via "Smart Home" App.

There are two power 25W and 40W to choose from.

Two optional modes: RGB and RGBCW are available.

The user can control any one or a group of flood lights in the Mesh network by connecting to any wireless flood light in the Mesh network through a mobile phone.

Fixed-time control and there are 16 million dimmable colors and different lighting scenes to choose from. Stage floodlight can change colors according to rhythm of music melody.

Featured with IP65 waterproof rating.

Work with Alexa and Google Home, support voice and application control.

It is widely used in decorative atmosphere places such as wedding, festival, party, garden, landscape, indoor, outdoor, pool, house, hotel, room, wall, backyard, and street decoration.

THANK YOU!!



WAROM LIGHTING CO.,LTD.

Add.: No. 2019, Lianyi Road, Nanxun Economic Development Zone,
Huzhou, Zhejiang, China

Http: //warom-lighting.com

Tel: +86-572-3777777

P.C.: 313009



Take good care of the resources. Be kind to the environment